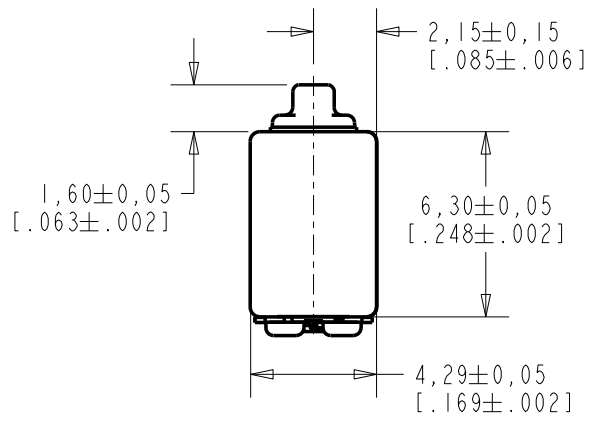

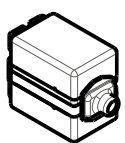
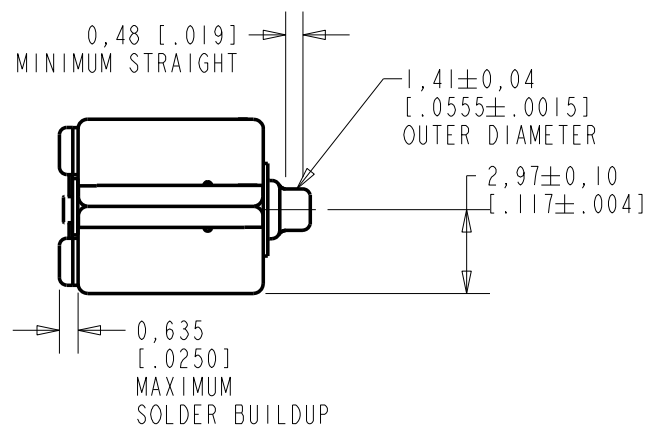
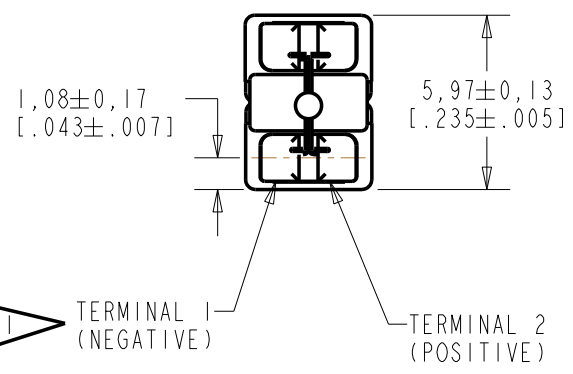


EJ-26775-000
SHT 1.1



NOTE:
 A POSITIVE GOING VOLTAGE AT TERMINAL 2, OR A NEGATIVE VOLTAGE AT TERMINAL 1, CAUSES A DECREASE IN PRESSURE AT THE SOUND OUTLET.



SCALE 2:1

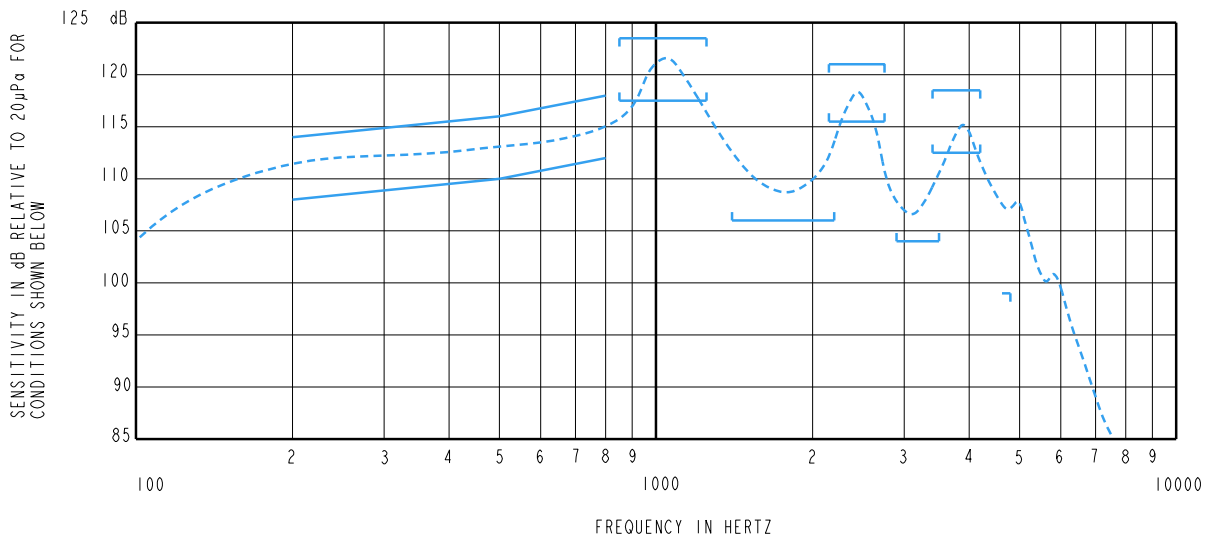
NOMINAL WEIGHT
 .31 GRAM

DIMENSIONS IN MILLIMETERS [INCHES]

Revision	C.O. #	Implementation Date	RELEASE LEVEL	REVISION
			Active	D
D	C10109200	3-2-09		

KNOWLES ELECTRONICS
 ITASCA, ILLINOIS U.S.A.

SCALE:	4:1	DR. BY	DATE
DO NOT SCALE DRAWING		CRG	2-19-06
TITLE:	RECEIVER	CK. BY	DATE
	EJ-26775-000	GJP	2-20-06
	OUTLINE DRAWING	APP. BY	DATE
	SHT 1.1	GJP	2-20-06



NOTES:

1. MEASUREMENTS MADE USING 8mm (.315") X 1mm (.039") ID + 28mm (1.10") X 1.5mm (.059") ID EAR HOOK SIMULATOR INTO 25mm (.984") OF 2 mm (.079") ID TUBE + 18mm (.709") OF 3mm (.118") ID TUBE + 2 cm³ CAVITY (AS IEC 126). (T-2607 AND B&K DB0138).

2. SENSITIVITY

FREQUENCY	MIN.	MAX.
200	108.0	114.0
500	110.0	116.0
800	112.0	118.0
850-1250	117.5	123.5
1400-2200	106.0	---
2150-2750	115.5	121.0
2900-3500	104.0	---
3400-4200	112.5	118.5
4800	99.0	---

- 3. RESPONSE, IMPEDANCE, AND DISTORTION MEASUREMENTS MADE USING THE ELECTRICAL TEST CONDITIONS SHOWN BELOW.
- 4. ELECTRICAL SOURCE IMPEDANCE MUST BE LESS THAN 1 OHM FOR TEST CONDITIONS SHOWN BELOW.
- 5. INDIVIDUAL SPECIFICATIONS.

PORT LOCATION	IMPEDANCE OHMS ±15%		DCR @20°C OHMS ±10%	DISTORTION		ELECTRICAL TEST CONDITIONS	
	1KHz	500Hz		MAX. %	FREQ Hz	AC V RMS	DC mA
12S	36	18	10	5	525	0.13	0.0

Revision	C.O. #	Implementation Date	RELEASE LEVEL	REVISION
			Active	D
D	C10109200	3-2-09		

KNOWLES ELECTRONICS
ITASCA, ILLINOIS U.S.A.

WHEN TEST LIMITS ARE USED TO ESTABLISH INCOMING INSPECTION ACCEPTANCE/REJECTION CRITERIA, CORRELATION OF TEST EQUIPMENT WITH KNOWLES IS ALSO REQUIRED FOR ELIMINATION OF EQUIPMENT AND TEST METHOD VARIATION		DR. BY	DATE
		CRG	2-19-06
		CK. BY	DATE
		GJP	2-20-06
		APP. BY	DATE
		GJP	2-20-06

TITLE:	RECEIVER	EJ-26775-000
	PERFORMANCE SPECIFICATION	SHT 2.1